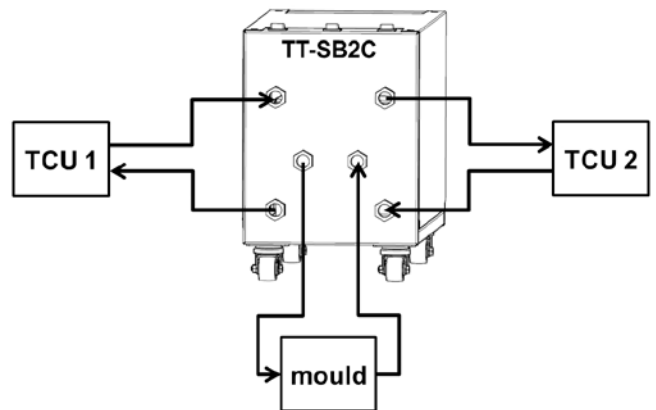


# Switchbox

# TT-SB2C

Switchbox for temperature changes within seconds between two pressurised water units

Operational use: with water from 10°C up to 160°C



## Working principle

The switchbox allows a change between two independent temperature control units within seconds. For this purpose two water temperature control units are connected to the TT-SB2C and from there to the consumer. An external control signal switches the two temperature circuits. The active circuit is indicated by a green lamp on the box. Eventual switch failures are shown by a red lamp.

The two required temperatures can be set on the temperature control units. The switchbox connects the inactive loop through. Thereby the temperature control units do not need a by-pass.

The switchbox is made to use with closed temperature systems (pressurised water units).

## Technical data

<b>Temperature range</b>	up to 160°C with water
<b>Connections</b>	
<i>To / from mould</i>	½" BSP female thread
<i>Temperature Control Unit 1; In / Out</i>	½" BSP female thread
<i>Temperature Control Unit 2; In / Out</i>	½" BSP female thread
<b>Supply voltage</b>	1 x 230 V / 50 Hz, 1 x 110 V / 60 Hz
<b>External control</b>	24VDC, 110VAC oder 230VAC (switching)
<b>Dimensions (L×W×H)</b>	620 × 260 × 420 mm, incl. castors
<b>Weight</b>	approx. 12 kg empty
<b>Colour</b>	silvergry RAL 7001